



## 佛山市揽德包装机械有限公司

FOSHAN LAND PACKAGING MACHINERY CO.,LTD

📍 地址：佛山市南海区罗村新光源产业基地C7栋  
Add : Building C7 of New Lighting Source Industrial Base.  
Luocun,Nanhai District,Foshan City,GD,China

☎ Tel : 0757-81807872 Fax : 0757-81807758

✉ E-mail : yang@landpacking.com

🌐 Web : www.landpack.cn / www.landpack.com

# LANDPACK

## 佛山市揽德包装机械有限公司

FOSHAN LAND PACKAGING MACHINERY CO.,LTD



# 企业简介

揽德包装机械有限公司坐落于广东省佛山市，以其优越的地理位置和良好的市场口碑，赢得广大客户的支持。公司销售网络辐射全国各地，远销全球30多个国家和地区。

本公司是研发、制造和销售各种液体灌装机、颗粒灌装机、粉末灌装机、封口机、封尾机和贴标机等相关设备,并提供全自动包装生产线整线设计和整体解决方案的现代化包装设备企业。

公司通过ISO9001质量管理体系认证,相关设备通过CE、SGS等认证。配备有丰富经验的研发、制造工程师队伍和专业的销售服务团队,确保您用合理的成本,获得性能稳定,外观卓越和人性化程度高的设备和优质满意的服务体验。

设备广泛适用于食品、中药材、饮料和农产品等相关行业的产品包装和各种制罐厂的生产中。

揽德包装机作为国内先进包装设备制造厂商,致力于为企业提供包装整体解决方案,令企业所需包装的过程得到质的提升,最大限度地解放了劳动力,避免了二次污染,以高效的方式提高企业的生产率。

LANDPACKAGING MACHINERY CO., LTD. IS LOCATED IN FOSHAN CITY, GUANGDONG PROVINCE. WITH ITS SUPERIOR GEOGRAPHICAL LOCATION AND GOOD MARKET REPUTATION, IT HAS WON THE SUPPORT OF CUSTOMERS. THE COMPANY'S SALES NETWORK RADIATES ALL OVER THE COUNTRY AND IS EXPORTED TO MORE THAN 30 COUNTRIES AND REGIONS AROUND THE WORLD.

THE COMPANY IS A MODERN PACKAGING EQUIPMENT ENTERPRISE WHICH DEVELOPS, MANUFACTURES AND SELLS ALL KINDS OF LIQUID FILLING MACHINES, PARTICLE FILLING MACHINES, POWDER FILLING MACHINES, SEALING MACHINES, TAIL SEALING MACHINES AND LABELING MACHINES, AND PROVIDES FULL-AUTOMATIC PACKAGING PRODUCTION LINE DESIGN AND OVERALL SOLUTIONS.

THE COMPANY HAS PASSED ISO 9001 QUALITY MANAGEMENT SYSTEM CERTIFICATION, AND RELEVANT EQUIPMENT HAS PASSED CE AND SGS CERTIFICATION. EQUIPPED WITH A TEAM OF EXPERIENCED R & D AND MANUFACTURING ENGINEERS AND A PROFESSIONAL SALES AND SERVICE TEAM, YOU CAN GET STABLE PERFORMANCE, EXCELLENT APPEARANCE AND HIGH DEGREE OF HUMANIZATION EQUIPMENT AND HIGH QUALITY AND SATISFACTORY SERVICE EXPERIENCE AT REASONABLE COST.

THE EQUIPMENT IS WIDELY USED IN FOOD, CHINESE HERBAL MEDICINE, BEVERAGE, AGRICULTURAL PRODUCTS AND OTHER RELATED INDUSTRIES OF PRODUCT PACKAGING AND VARIOUS CANNERY PRODUCTION.

# 企业形象

## ★ 公司实力



## ★ 资质证书



CE 认证

ISO 认证

SGS 认证

TUV 认证

专利证书



高新技术企业认证



营业执照

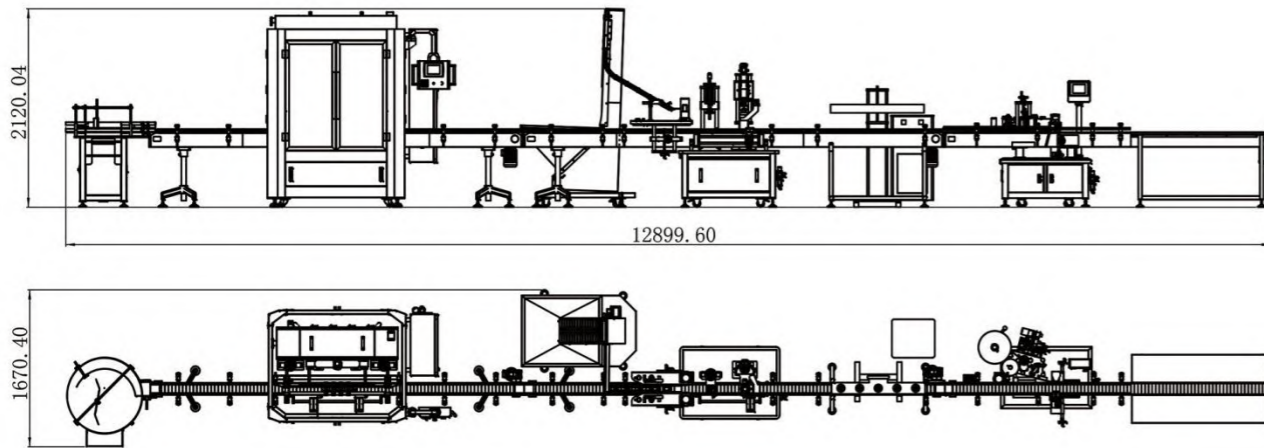


# 液体全自动灌装生产线

Automatic liquid filling production line



## 二维尺寸图



**配套机组:** 理瓶机+活塞灌装机+瓶盖提升机+伺服旋盖机+铝箔封口机+贴标机+收集平台

## 样品/Sample



## 特点/Characteristic

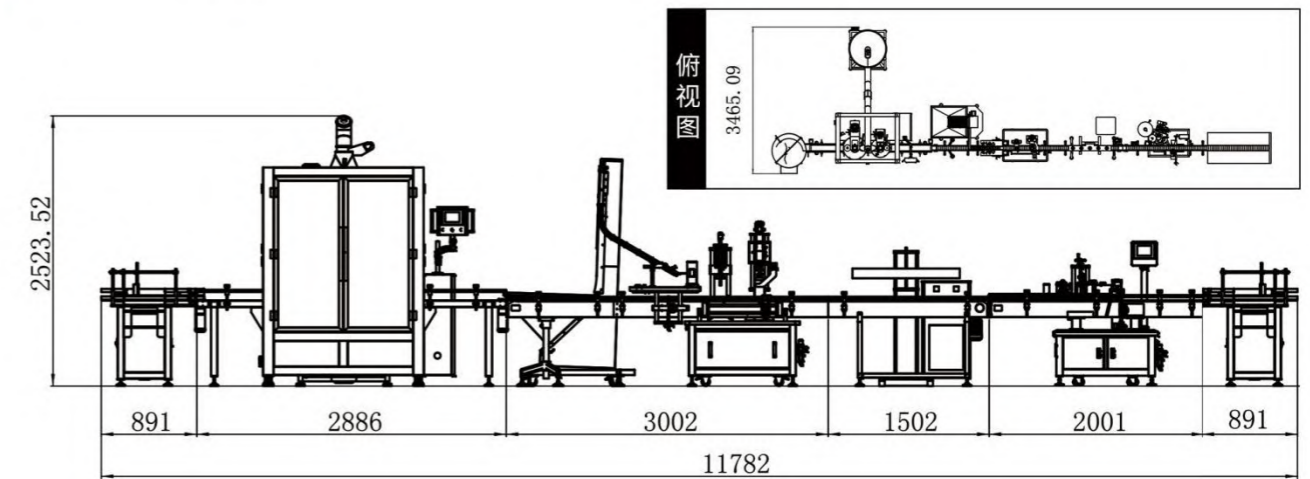
1	可根据需要选配不同配置的全自动设备进行组装;	According to the needs of different configuration of automatic equipment assembly;
2	所有机器结构均是按照食品卫生标准选用设计的;	All the machine structures are selected and designed according to the food hygiene standards;
3	与物料接触的容器内壁均抛光处理;	The inner wall of the container in contact with the material is polished;
4	经常拆洗的结构都采用了易拆件连接,方便清洁卫生;	The structures that are often disassembled and washed are all connected by easily disassembled parts, which is convenient for cleaning;
5	包装线主要适用于各种液体、流体、膏体状物料的包装,如果汁、食用油、酱料、日用品、药品等;	The packing line is mainly suitable for packing all kinds of liquid, fluid and paste materials, such as juice, edible oil, sauce, daily necessities, medicine, etc;

# 粉末全自动灌装生产线

Powder automatic filling production line



## 二维尺寸图



**配套机组:** 理瓶机+螺杆上料机+双头灌装机+瓶盖提升机+伺服旋盖机+铝箔封口机+贴标机+收集平台

## 样品/Sample



## 特点/Characteristic

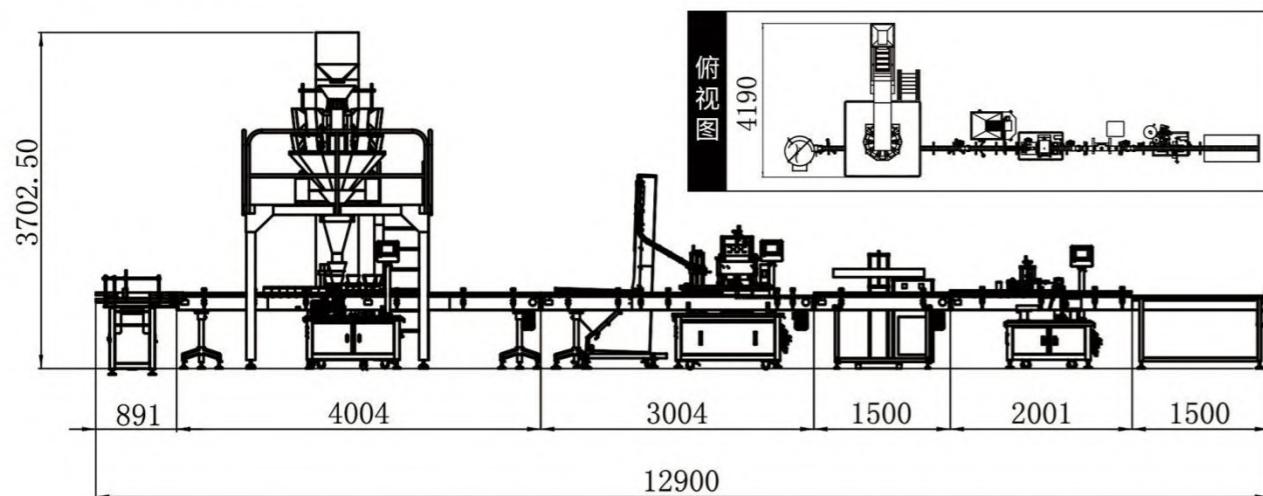
1	本生产线配套机器除注明材料外均为不锈钢;	The machines of this production line are all stainless steel except the materials indicated;
2	所有机器结构均是按照食品卫生标准选用设计的;	All the machine structures are selected and designed according to the food hygiene standards;
3	具有吸扬尘装置,不会污染环境和设备;	With dust absorption device, it will not pollute the environment and equipment;
4	双螺杆头充填,保证高精度灌装;	With dust absorption device, it will not pollute the environment and equipment;
5	包装线主要适用于各种粉剂物料的包装,如五谷杂粮粉,营养粉,奶粉,鸡精粉等;	The packing line is mainly suitable for the packaging of various powder materials, such as grain powder, nutrition powder, milk powder, chicken powder, etc;

# 颗粒全自动灌装生产线

Automatic filling production line for granules



## 二维尺寸图



配套机组：理瓶机+颗粒灌装机（Z型提升机+电子秤+平台+旋转灌装）+提升机+旋盖机+铝箔封口机+贴标机+收集平台

## 样品/Sample



## 特点/Characteristic

1	可根据需要选配不同配置的全自动设备进行组装;	According to the needs of different configuration of automatic equipment assembly;
2	所有机器结构均是按照食品卫生标准选用设计的;	All the machine structures are selected and designed according to the food hygiene standards;
3	与物料接触的容器内壁均抛光处理;	The inner wall of the container in contact with the material is polished;
4	经常拆洗的结构都采用了易拆件连接, 方便清洁卫生;	The structures that are often disassembled and washed are all connected by easily disassembled parts, which is convenient for cleaning;
5	包装线主要适用于各种颗粒状和固体物料的包装, 如坚果果脯, 中药材, 锅巴, 大米等;	The packing line is mainly suitable for packing all kinds of granular and solid materials, such as nuts, preserved fruits, Chinese medicinal materials, Guoba, rice, etc;

# 颗粒全自动灌装生产线

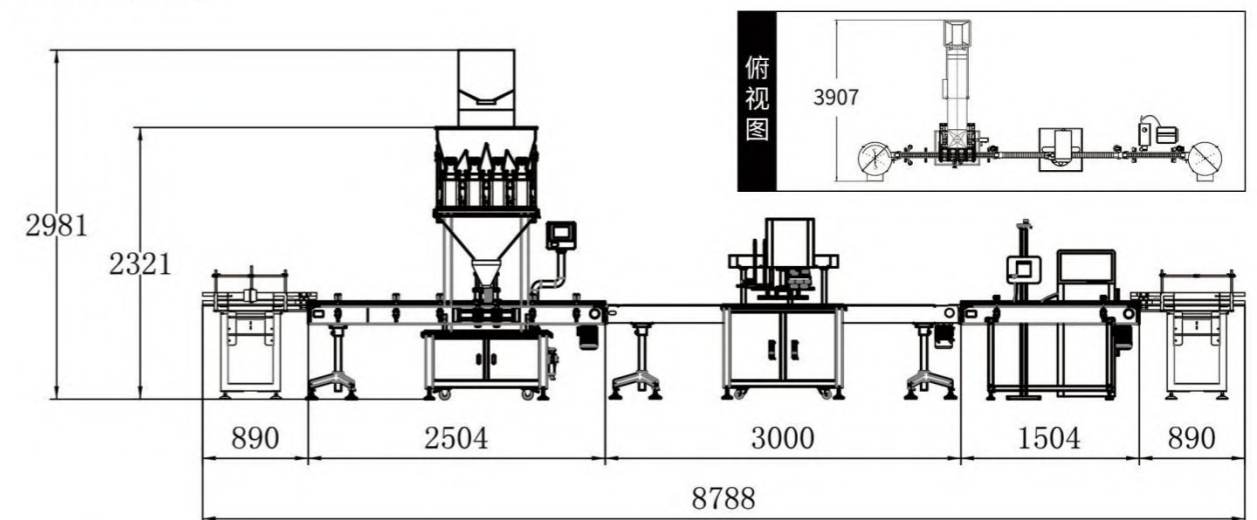
Automatic filling production line for granules



## 适用物料



## 二维尺寸图



配套机组：理瓶机+颗粒灌装机（Z型提升机+4头线性秤+颗粒灌装机）+高速封罐机+激光打码机+理瓶机

## 样品/Sample



## 特点/Characteristic

1	可根据需要选配不同配置的全自动设备进行组装;	According to the needs of different configuration of automatic equipment assembly;
2	所有机器结构均是按照食品卫生标准选用设计的;	All the machine structures are selected and designed according to the food hygiene standards;
3	与物料接触的容器内壁均抛光处理;	The inner wall of the container in contact with the material is polished;
4	经常拆洗的结构都采用了易拆件连接, 方便清洁卫生;	The structures that are often disassembled and washed are all connected by easily disassembled parts, which is convenient for cleaning;
5	适合白糖、盐、种子、大米、芝麻、味精、鸡精、奶粉、咖啡、调味粉等粉状、小颗粒状较为均匀物料的定量称量;	Suitable for the quantitative weighing of sugar, salt, seeds, rice, sesame, monosodium glutamate, chicken essence, milk powder, coffee, seasoning powder and other powder, small particles of more uniform materials;

# 全自动液体灌装机

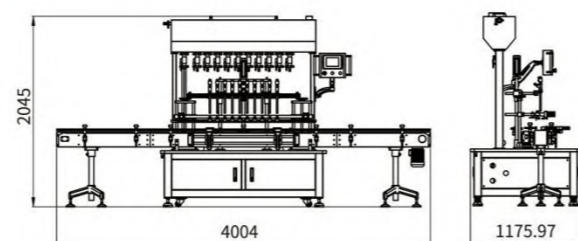
Automatic liquid filling machine



## 适用物料



## 二维尺寸图



适用于各种流动性好的液体，如食用油、纯果汁、刹车油等。灌装量参数式调节控制，非常简便精准，灌装头可根据客户的产量需求来定制。

## 样品/Sample



## 技术参数/Technical parameter

型号	LFZ-06	LFZ-08	LFZ-10	LFZ-12
灌装范围	50-1000ml(可定制)	50-1000ml(可定制)	50-1000ml(可定制)	50-1000ml
灌装速度	<30瓶/分钟(500ml范围)	<40瓶/分钟(指100-500ml范围)	<50瓶/分钟(指100-500ml范围)	<60瓶/分钟
计量精确度	±1%	±1%	±1%	±1%
功率	1KW	1.2KW	1.2KW	1.5KW
工作电源	220V、50Hz	220V、50Hz	220V、50Hz	220V、50Hz
工作气压	0.6-0.8MPa	0.6-0.8MPa	0.6-0.8MPa	0.6-0.8MPa
重量	400kg	450kg	500kg	550kg

# 全自动活塞式灌装机

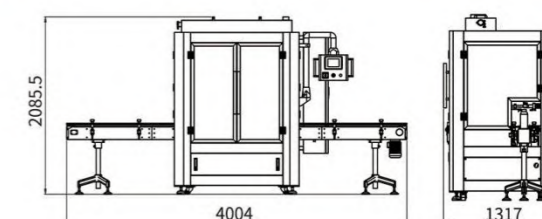
Full automatic piston filling machine



## 适用物料



## 二维尺寸图



全自动伺服活塞灌装机，采用伺服控制灌装容量，精度高，调节方便。进口 PLC 配合触摸屏人机界面，设备运行稳定，操作简便。适用于各种酱料，带果粒的饮料等，是食品，日化，医药，农药等各个行业的理想灌装设备。

## 样品/Sample



## 技术参数/Technical parameter

型号	LFZ-04	LFZ-06	LFZ-08	LFZ-10
灌装范围	50-1000ml(可定制)	50-1000ml(可定制)	50-1000ml(可定制)	50-1000ml(可定制)
灌装速度	<15-25瓶/分钟	<20-35瓶/分钟	<30-40瓶/分钟	<40-50瓶/分钟
计量精确度	±1%	±1%	±1%	±1%
功率	2KW	2.5KW	3.5KW	5KW
工作电源	220V、50Hz	220V、50Hz	220V、50Hz	220V、50Hz
工作气压	0.6-0.8Mpa	0.6-0.8Mpa	0.6-0.8Mpa	0.6-0.8Mpa
重量	600kg	650kg	800kg	800kg
外形尺寸	L4000*W1320*H2090(mm)	L4000*W1320*H2090(mm)	L4000*W1320*H2090(mm)	L4000*W1320*H2090(mm)

# 单头粉剂自动灌装机

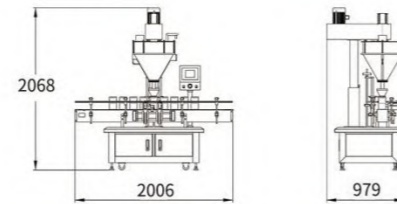
Single head powder automatic filling machine



## 样品



## 二维尺寸图



## 特点/Characteristic

1	整机全不锈钢制作，特别适用GMP认证，食品卫生认证，要求抗腐蚀化工品等的包装；	The whole machine is made of stainless steel, especially suitable for GMP certification, food hygiene certification, anti-corrosion chemical products packaging;
2	触摸屏人机界面，工作稳定、抗干扰、称重精度高、操作便捷、直观。包装重量随时无级可调。工作状态随时任意变换，操作便捷；	Touch screen human-machine interface, stable work, anti-interference, high weighing accuracy, convenient operation, intuitive. The packing weight can be adjusted steplessly at any time. The working state can be changed at any time, and the operation is convenient;
3	充填采用伺服电机，具有定位准确、精度高、速度快、扭矩大、寿命长、转速可设定、稳定性好等优点；	The filling adopts servo motor, which has the advantages of accurate positioning, high precision, high speed, large torque, long service life, adjustable speed and good stability;
4	搅拌采用台产免保养减速机：噪声低、寿命长；	The mixer adopts a maintenance free motor with low noise and long service life;
5	设计成称得反馈比重跟踪式，克服了因物料比重变化而致使重量发生变化的缺点；	It is designed as a feedback proportion tracking type, which overcomes the shortcomings of weight change caused by material proportion change;
6	全密封空气阻隔玻璃不锈钢侧开式复合料箱，物料动静一目了然，粉尘不外泄，充填出口吸吸尘装置，保护车间环境；	Fully sealed air blocking glass stainless steel side open compound material box, material movement and static at a glance, dust does not leak, filling outlet suction device, protect the workshop environment;
7	更换螺旋附件，能够适应超细粉到大颗粒等多种物料；	Replace screw accessories, can adapt to superfine powder to large particles and other materials;

## 技术参数/Technical parameter

型号	LFP-01	LFP-01
灌装重量	10-5000g(更换螺杆规格)	10-5000g(更换螺杆规格)
瓶子直径	Φ30-Φ140mm(可定制)	Φ30-Φ140mm(可定制)
瓶子高度	50mm-200mm(可定制)	50mm-200mm(可定制)
产量	10-20瓶/min	20-40瓶/min
计量精确度	≤500g, ≤±1%; >500g, ≤±0.5% (因物料的特性而异)	
功率	2.5KW	5KW
料仓容量	50L	50L
工作电源	220V、50Hz	220V、50Hz
工作电压	0.6-0.8MPa	0.6-0.8MPa
重量	350kg	550kg

# 粉末自动灌装机

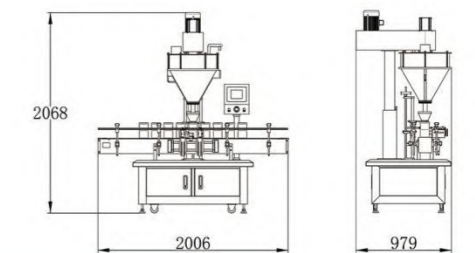
Automatic powder filling machine



## 适用物料



## 二维尺寸图



## 样品/Sample



## 特点/Characteristic

1	直线式双机头充填，主充填和补充填，保证高精度灌装；	Linear double head filling, main filling and supplementary filling, ensure high precision filling;
2	伺服及气动系统控制托罐及水平走罐，定位准、速度快；	Servo and pneumatic system control can support and horizontal moving, accurate positioning and fast speed;
3	伺服马达及伺服驱动控制螺杆，性能稳定、精度高；	Servo motor and servo drive control screw have stable performance and high precision;
4	全不锈钢结构；水平开启式料箱（里外抛光），清洗十分方便；	All stainless steel structure; Horizontal open material box (inside and outside polishing), cleaning is very convenient;
5	充填头配有手轮调整高度，轻松实现各种罐型灌装；	The filling head is equipped with a hand wheel to adjust the height, so it can easily fill all kinds of cans;
6	配有除尘装置，接负压管道，无粉尘污染环境。	Equipped with dust removal device, connected with negative pressure pipe, no dust pollution to the environment;
7	固定式螺杆安装结构，罐装时不产生金属污染	Fixed screw installation structure, can not produce metal pollution;

## 技术参数/Technical parameter

型号	LFPD-50-30	功率	4.5KW
灌装重量	100-2000g	工作电源	220V、50Hz
罐子直径	Φ60-Φ135mm	工作气压	0.6-0.8MPa
罐子高度	60-260mm	料仓容积	50L(主), 30L(补)
产量	10-25罐/min	重量	500kg
灌装精度	100-1000g, ≤±2g; ≥1000g, ≤±5g		

# 组合秤颗粒灌装机

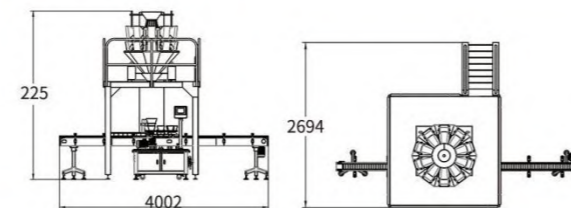
Combined scale particle filling machine



## 适用物料



## 二维尺寸图



## 样品/Sample



## 特点/Characteristic

- |   |  |   |
|---|--|---|
| 1 | 采用减速提升电机，缺料时自动补料控制系统，转斗式提升机构全封闭、无污染、无泄漏，上料，称重，灌装，全程自动化控制；          | Adopt decelerating lifting motor, automatic feeding control system in case of material shortage, rotary bucket type lifting mechanism is fully closed, pollution-free, leakage free, feeding, weighing, filling, whole process automatic control;   |
| 2 | 配备国内知名超微型组合秤灌装速度快，精度高。多语言触摸屏人机交互系统，可视化操作，还能记录每一批生产的总罐数、合格率及单罐误差指标； | Equipped with domestic well-known ultra micro combination scale, the filling speed is fast and the precision is high. Multi language touch screen human-computer interaction system, visual operation, can also record each batch of production of the total number of cans, qualified rate and single can error index; |
| 3 | 可额外安装剔除装置，不符合要求重量的物料，将会分流到另外的出口，大大提升灌装的合格率，避免浪费；                   | Additional removal device can be installed. Materials that do not meet the required weight will be diverted to another outlet, greatly improving the qualified rate of filling and avoiding waste;  |
| 4 | 适用于各种颗粒和固体物料，可根据物料灵活选择配置；  | It is suitable for all kinds of granular and solid materials, and can be flexibly selected and configured according to the materials;   |

## 技术参数/Technical parameter

型号	LD-10	LD-14
计量头数	10	14
单次称量范围	10-1000g	10-2000g
称量精度	±0.3-1.5g	±0.3-1.5g
称量速度	70bag/min	120bag/min
料斗容量	1300ml	1300ml
料斗形式	双排无记忆斗	双排无记忆斗
产品预设模式	99种	99种
控制元件	荧光显示管(256X64点5.7寸)	10.4寸液晶触屏

# 线性秤灌装机

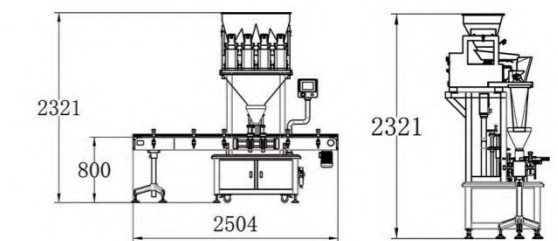
Linear scale filling machine



## 适用物料



## 二维尺寸图



## 样品/Sample



## 特点/Characteristic

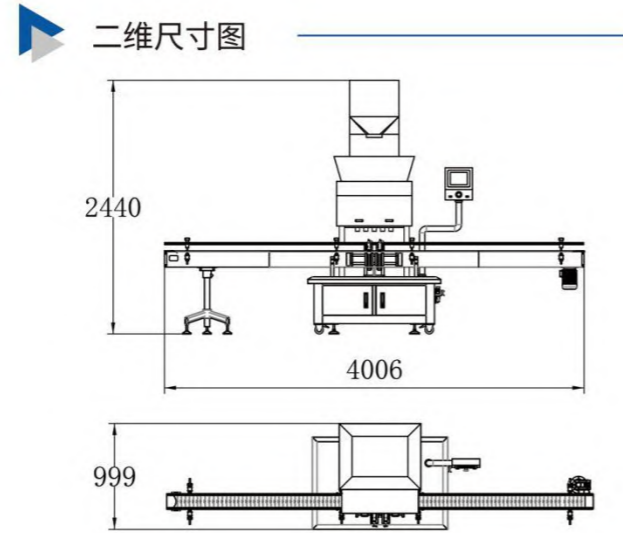
- |   |                           |   |
|---|---------------------------|---|
| 1 | 定制型灌装称重一体机，自动化程度高，节省人工成本； | Customized filling and weighing machine, high degree of automation, save labor costs; |
| 2 | 适用于颗粒状和固体物料的灌装，精度高；       | It is suitable for filling granular and solid materials with high precision;          |
| 3 | 集料斗可调节物料灌装多少，使用方便；        | The hopper can adjust the filling amount of materials, so it is easy to use;          |

## 技术参数/Technical parameter

型号	20~2000g	料斗容量	3000ml
称重精度	±1~3g	物料设置	20种
灌装速度	15~25罐/分钟	最多配料类别	4种
输送带长度	2m	电源	单相 AC220V 50/60HZ
尺寸	H2000* W1000* H2000mm		

# 量杯式灌装机

Measuring cup filling machine



## 适用物料 / Applicable materials



## 样品 / Sample



## 特点 / Characteristic

1	料分装，封罐和贴标工作全部由机器自动完成；	The sub packing, sealing and labeling are all completed automatically by the machine;
2	分装过程采用特殊设计，高出罐体的物料不会影响封罐工作；	Special design is adopted in the sub packing process, so the material higher than the tank body will not affect the sealing work;
3	适合爆米花、大米、花生、开心果等颗粒状并以容积作为主要定量指标的包装；	Suitable for popcorn, rice, peanut, pistachio and other granular packaging with volume as the main quantitative index;

## 技术参数 / Technical parameter

定量原理	量杯体积
定量范围	500 ml~1200ml
包装速度	30 Cans/min
气源	0.6MPa

# 八轮旋盖机

Eight wheel capping machine



## 细节图 / Detail drawing

- 手摇调节轮**  
通过手摇调节轮可以适用不同瓶身大小的罐子旋盖使用。
- 旋盖工位**  
夹盖、压盖和旋盖动作精准力度合理，避免夹盖变形和旋盖过紧和太松的问题。
- 触摸屏**  
采用国际知名品牌触摸屏，反应更快更好用，运行更流畅。
- 电箱排版**  
电箱里面配件选用知名品牌，排布更合理，有利于散热和后期的维护。

## 特点 / Characteristic

1	本机带自动提升理盖，自动化程度高，节约人工成本，提高生产效率；	This machine with automatic lifting cover, high degree of automation, save labor costs, improve production efficiency;
2	先进的人机界面操作系统，操作参数可调节，故障提示，易于使用；	Advanced man-machine interface operating system, adjustable operating parameters, fault prompt, easy to use;
3	运行中四轮/八轮旋盖，旋盖就快，受力均匀，并能有效地避免防盗盖断裂和对瓶盖的损伤；	During operation, the four / eight wheel cover is rotated quickly, and the force is even, and the anti-theft cover can be prevented from breaking and damaging the bottle cap;
4	搓盖轮高度可调整，夹瓶带两边距离可调，四组旋盖轮夹紧程度可调，调整位置均安装有刻度尺，使调整更方便更精准；	The height of the capping wheel can be adjusted, the distance between the two sides of the bottle clamping belt can be adjusted, the clamping degree of the four groups of capping wheels can be adjusted, and the adjusting positions are equipped with a scale to make the adjustment more convenient and accurate;
5	旋盖合格率高、速度快，更换产品时只需稍微调下搓盖轮的高度和宽度就可以了；调节简单、方便、实用	The qualified rate of rotating cover is high and the beach is fast. When replacing the product, it is only necessary to adjust the height and width of the roller slightly; The adjustment is simple, convenient and practical;

## 技术参数 / Technical parameter

型号	LFX-GS-150	功率	2KW
产量	40-100瓶/min	工作电源	220V、50Hz
瓶盖直径	Φ18mm-Φ80mm(可定制)	工作气压	0.6-0.8MPa
瓶身直径	Φ35mm-Φ140mm(可定制)	重量	350kg
封瓶高度	38mm-300mm(可定制)	外形尺寸	H3120*W1544*L2122



# 四轮旋盖机

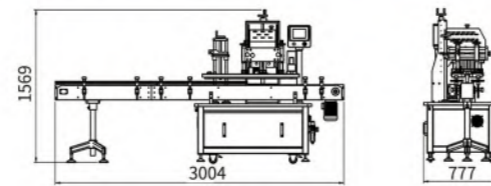
Four wheel capping machine



## 适用瓶型



## 二维尺寸图



## 细节图/Detail drawing

**1**

手摇调节轮

通过手摇调节轮可以适用不同瓶身大小的罐子旋盖使用。

**2**

旋盖工位

夹盖、压盖和旋盖动作精准力度合理。避免夹瓶变形和旋盖过紧和太松的问题。

**3**

触摸屏

采用国际知名品牌触摸屏，反应更快更好用，运行更流畅。

**4**

电箱排版

电箱里面配件选用知名品牌，排布更合理，有利于散热和后期的维护。

## 特点/Characteristic

1	该机主要由瓶子输送机构、理盖上盖机构，夹瓶输送机构、搓式旋盖机构、电控系统等组成，自动化程度高，设计合理，结构紧凑，操作简便；	The machine is mainly composed of bottle conveying mechanism, Liding and capping mechanism, bottle clamping conveying mechanism, rolling capping mechanism and electric control system. It has high degree of automation, reasonable design, compact structure and easy operation;
2	本机机架，构件及外壳主要采用优质不锈钢制作，外形美观，便于清洁，符合GMP要求；	The machine frame, components and outer frame are mainly made of high-quality stainless steel, with beautiful appearance, easy to clean and in line with GMP requirements;
3	采用四轮夹旋，结构简单合理，性能稳定可靠，工作效率高，搓式旋盖技术有效解决了传统旋盖机打滑、伤盖等弊端；	The structure is simple and reasonable, the performance is stable and reliable, and the working efficiency is high. The rub type capping technology effectively solves the problems of traditional capping machine, such as slipping and damage;
4	旋盖机构间距、高度可快速调节，可适应不同规格的瓶型和瓶盖；	The distance and height of the capping mechanism can be adjusted quickly, which can adapt to different bottle types and caps;
5	送盖机构装有光电感应安全保护装置，可控制理瓶机构实现“无盖开机送盖，盖满美机不送盖”自我保护功能，增强了设备的运行稳定性和可靠性；	The cap feeding mechanism is equipped with a photoelectric induction safety protection device, which can control the bottle arranging mechanism to realize the self-protection function of "start the machine without cap and deliver the cap when the machine is full, and do not deliver the cap when the machine is full", thus enhancing the operation stability and reliability of the equipment;

## 技术参数/Technical parameter

型号	LFX-JX-01	功率	1.5KW
产量	20-30瓶/min	工作电源	220V、50Hz
瓶盖直径	Φ22mm-Φ80mm(可定制)	工作气压	0.6-0.8MPa
瓶身直径	Φ35mm-Φ140mm(可定制)	重量	250kg
封瓶高度	38mm-200mm(可定制)	外形尺寸	L3000*W800*H1600(mm)

# 半自动封罐机

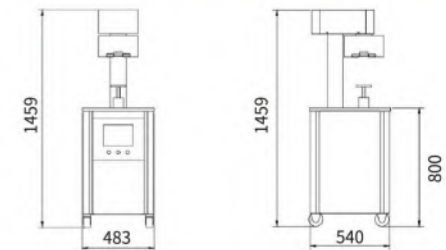
Semi automatic can sealing machine



## 罐类或物料



## 二维尺寸图



## 细节图/Detail drawing

**准**

封卷轮

采用CR12模具钢制造双滚刀封口，密封性更好。

**稳**

封罐不旋转

封口过程中罐体不旋转，更适合易碎及液体产品封罐。

**新**

新升级

拉丝不锈钢机身，寿命长，耐用不易损坏，时尚美观。

**静**

电机下置

下置电机放到箱里面噪音和抖动更小。

## 特点/Characteristic

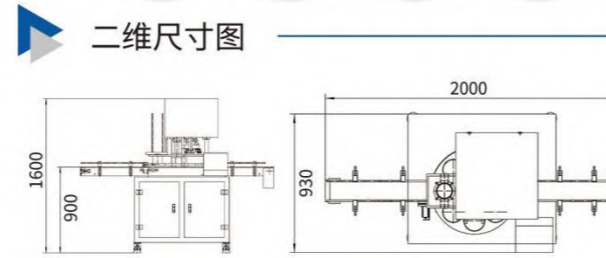
1	无齿轮传动，噪音小，易维护；	Gearless transmission, low noise, easy maintenance;
2	电机下置，重心低，移动和使用过程中确保安全；	The motor is placed in the lower position with low center of gravity to ensure safety in the process of moving and using;
3	实现一边放罐一边封罐，提高工人的生产效率；	The production efficiency of workers can be improved by sealing the cans while putting them in;
4	封口过程罐体不旋转，安全高效，特别适合易碎及液体产品的封罐；	In the sealing process, the can body does not rotate, which is safe and efficient. It is especially suitable for the sealing of fragile and liquid products;
5	启动按钮桌面式手动，避免脚踏发生安全事故，更加安全；	Start button desktop manual, to avoid foot stampede safety accidents, more safe;
6	适用于马口铁罐，铝罐，塑料罐和复合纸罐包装的产品封罐，是食品，饮料，中药饮品，化工等行业的理想包装设备；	It is suitable for sealing tins, aluminum cans, plastic cans and composite paper cans. It is an ideal packaging equipment for food, beverage, traditional Chinese medicine and chemical industry;

## 技术参数/Technical parameter

封罐头数	1个	工作温度	0~45°C
封卷轮数	2个(1个第一道封卷轮，1个第二道封卷轮)	工作湿度	35-85%
封罐速度	10-20罐/分钟(不可调)	工作电源	单相AC220V 50/60HZ
封罐高度	25 ~ 220mm	总功率	700W
封罐直径	35 ~ 130mm	重量	100KG (约)
外形尺寸	L550*W450*H1400MM		

# 自动封罐机

Automatic can sealing machine



## 细节图/Detail drawing

1

美观

电机不外露,整体设计和做工更美观。



2

灵活

触摸屏采用支架连接,多方位可操作,生产更灵活。



3

安全

采用伺服控制,有效避免使用分割器导致卡盘损坏机器和工人误操作的安全事故发生。



## 特点/Characteristic

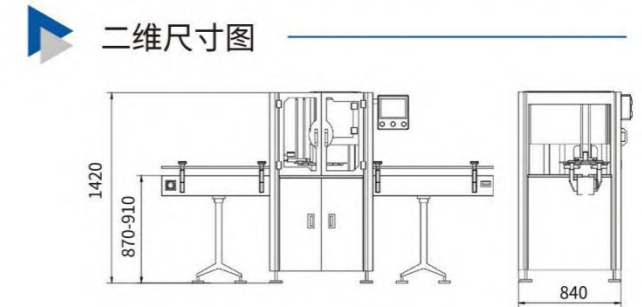
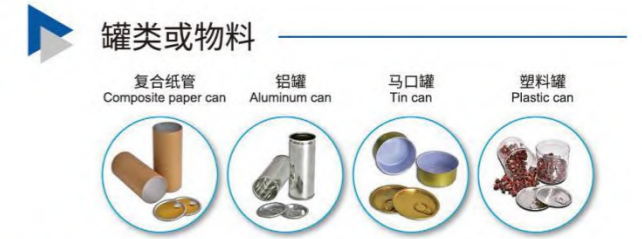
1	整机伺服控制,让设备运行更加安全,稳定和智能。有罐才启动转盘;转盘速度可单独调节;当出现卡罐时,转盘会自动停机,一键复位后即可解除故障再次运行;有异物卡住转盘时,转盘会自动停止运行,防止因人为错误操作设备而造成设备的损坏和事故的发生;	Servo control of the whole machine makes the operation of the equipment safer, more stable and more intelligent. Start the turntable only when there is a can; The speed of turntable can be adjusted independently; When there is a can jam, the turntable will stop automatically. After one key reset, the fault can be removed and the turntable will run again; When there is a foreign matter stuck in the turntable, the turntable will stop running automatically to prevent the equipment damage and safety accidents caused by human error operation.
2	两道封卷轮把个同时完成封口,确保高密封度;	Two sealing rollers are used to seal at the same time to ensure high sealing degree;
3	封罐过程中罐体不旋转,更加安全,特别适合易碎及液体产品;	The tank body is not rotating during the sealing process, which is more safe, especially suitable for fragile and liquid products;
4	自动化生产,提高生产效率,节约人工成本;	Automatic production, improve production efficiency, save labor cost;
5	适用于马口铁罐,铝罐,塑料罐和复合纸罐包装的产品封罐,是食品,饮料,中药饮品,化工等行业的理想包装设备;	It is suitable for sealing tins, aluminum cans, plastic cans and composite paper cans. It is an ideal packaging equipment for food, beverage, traditional Chinese medicine and chemical industry;

## 技术参数/Technical parameter

型号	LFG-01	工作温度	0~45°C
封罐头数	1个	工作湿度	35-85%
封卷轮数	4个(2个第一道封卷轮,2个第二道封卷轮)	工作电源	单相AC220V 50/60HZ
封罐速度	33罐/分钟(不可调)	总功率	1700W
封罐高度	25~220mm	重量	330KG(约)
封罐直径	35~130mm	外形尺寸	L1850*W840*H1650mm

# 高速封罐机

High speed can sealing machine



## 细节图/Detail drawing

1

美观

电机不外露,整体设计和做工更美观。



2

灵活

触摸屏采用支架连接,多方位可操作,生产更灵活。



3

安全

采用伺服控制,有效避免使用分割器导致卡盘损坏机器和工人误操作的安全事故发生。



## 特点/Characteristic

1	整机伺服控制,让设备运行更加安全,稳定和智能。有罐才启动转盘;转盘速度可单独调节;当出现卡罐时,转盘会自动停机,一键复位后即可解除故障再次运行;有异物卡住转盘时,转盘会自动停止运行,防止因人为错误操作设备而造成设备的损坏和事故的发生;	Servo control of the whole machine makes the operation of the equipment safer, more stable and more intelligent. Start the turntable only when there is a can; The speed of turntable can be adjusted independently; When there is a can jam, the turntable will stop automatically. After one key reset, the fault can be removed and the turntable will run again; When there is a foreign body stuck in the turntable, the turntable will stop running automatically to prevent the equipment damage and safety accidents caused by human error operation;
2	两道封卷轮共4个同时完成封口,确保高密封度;	There are 4 sealing rollers in total, which can seal at the same time to ensure high sealing degree;
3	封罐过程中罐体不旋转,更加安全,特别适合易碎及液体产品;	In the process of sealing, the tank body does not rotate, so it is safer, especially suitable for fragile and liquid products;
4	封罐速度最高达到50罐每分钟,生产效率高;	The highest sealing speed is up to 50 cans per minute with high production efficiency;

## 技术参数/Technical parameter

封罐头数	1个	工作温度	0~45°C
封卷轮数	4个(2个第一道封卷轮,2个第二道封卷轮)	工作湿度	35-85%
封罐速度	20~53罐/分钟(可调速)	工作电源	35-85%
封罐高度	25~220mm	功率	2000W
封罐直径	35~130mm	重量	330kg
外形尺寸	H1850*W840*L1650mm		

# 半自动双室抽真空充氮封罐机

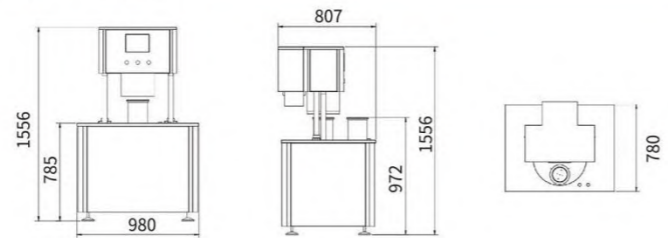
Semi automatic double chamber vacuum nitrogen filling and sealing machine



## 罐类或物料



## 二维尺寸图



## 样品/Sample



## 特点/Characteristic

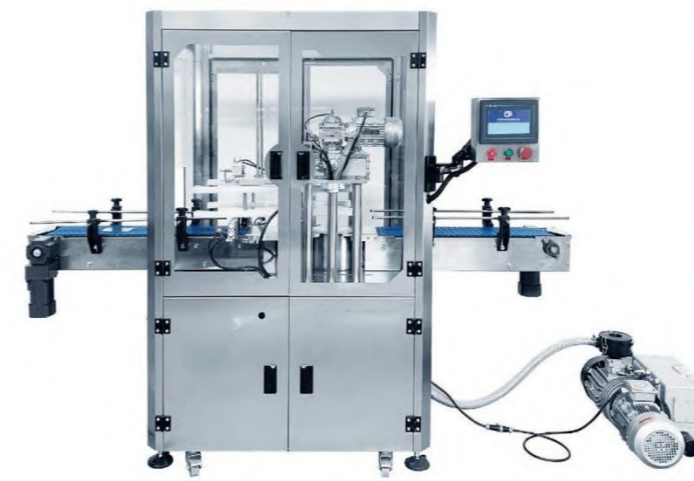
1	整机伺服控制, 让设备运行更加安全, 稳定和智能。有罐才启动转盘; 转盘速度可单独调节; 当出现卡罐时, 转盘会自动停机, 一键复位后即可解除故障再次运行; 有异物卡住转盘时, 转盘会自动停止运行, 防止因人为错误操作设备而造成设备的损坏和安全事故的发生;	Servo control of the whole machine makes the operation of the equipment safer, more stable and more intelligent. Start the turntable only when there is a can; The speed of turntable can be adjusted independently; When there is a can jam, the turntable will stop automatically. After one key reset, the fault can be removed and the turntable will run again; When there is a foreign matter stuck in the turntable, the turntable will stop running automatically to prevent the equipment damage and safety accidents caused by human error operation.
2	两道封卷轮把个同时完成封口, 确保高密封度;	Two sealing rollers are used to seal at the same time to ensure high sealing degree;
3	封罐过程中罐体不旋转, 更加安全, 特别适合易碎及液体产品;	The tank body is not rotating during the sealing process, which is more safe, especially suitable for fragile and liquid products;
4	自动化生产, 提高生产效率, 节约人工成本;	Automatic production, improve production efficiency, save labor cost;
5	适用于马口铁罐, 铝罐, 塑料罐和复合纸罐包装的产品封罐, 是食品, 饮料, 中药饮品, 化工等行业的理想包装设备;	It is suitable for sealing tins, aluminum cans, plastic cans and composite paper cans. It is an ideal packaging equipment for food, beverage, traditional Chinese medicine and chemical industry;

## 技术参数/Technical parameter

适用范围	50 ~ 100mm, height 60 ~ 180mm	功率	4.2kw
生产效率	20 to 30 cans/minute	电压	380V 50HZ
氮气气压	0.1 ~ 0.4Mpa	残氧量	v 2
气源	06~0.8mpa	重量	400kg
外形尺寸	L2000*W1100*H2000 mm		

# 全自动抽真空充氮封罐机

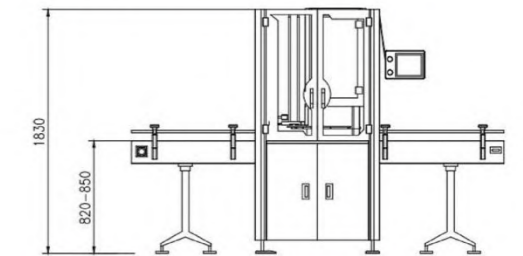
Lpe-fvc20 automatic vacuum nitrogen filling and sealing machine



## 罐类或物料



## 二维尺寸图



## 样品/Sample



## 特点/Characteristic

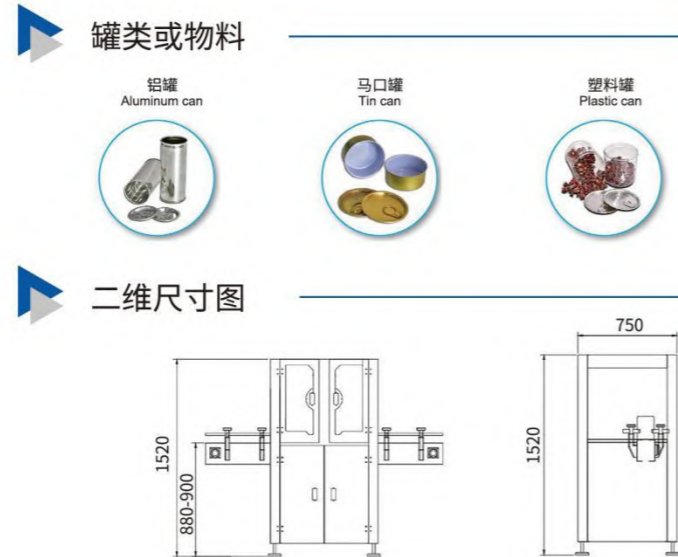
1	本设备适用于各种圆形开口的马口铁罐、铝罐、塑料罐、纸罐包装的产品先抽真空再充氮气, 最后封口。有效延长产品保质期, 是食品、饮料、制药等行业的理想设备;	This equipment is suitable for all kinds of round open products packed with iron cans, aluminum cans, plastic cans and paper cans. Vacuum is first pumped and nitrogen is filled, and finally sealed. Effectively extend the product shelf life is an ideal equipment for food, beverage, pharmaceutical and other industries;
2	自动化控制和操作, 提高生产效率, 节约人工成本;	Automatic control and operation, improve production efficiency, save labor costs;
3	罐盖联控装置, 有罐身进入时, 才相应配给盖子, 无罐则无盖;	The tank lid joint control device, when the tank body enters, the lid is allocated correspondingly; if there is no tank, there is no lid;
4	封卷轮及压头采用Cr12模具钢加工处理制造, 经久耐用, 高密封度;	The sealing roller and pressure head are made of Cr12 die steel, which is durable and highly sealed;
5	残氧量低于3%, 有效延长产品的保质期, 提升产品质量;	The residual oxygen content is less than 3%, which can effectively extend the shelf life of the product and improve the quality of the product;

## 技术参数/Technical parameter

生产能力	6~7罐/分	工作气压 (压缩空气)	>0.6MPa
适应范围	罐径(p70~cp 127mm, 罐高 80 ~ 190mm)	耗气量 (压缩空气)	约 80L/min
电压	三相AC380V 50/60HZ	氮气源气压	>0.4MPa
整机功率	4000W	耗氮量	约 50L/min
重量	500KG	残氧量	<3%
外形尺寸	H2000*W800* L1850(mm)		

# 全自动防尘盖压盖机

## Automatic dust cover capping machine



### 样品/Sample



### 特点/Characteristic

1	直线搓带式扣盖和转盘式扣盖两种方式可选，运行稳定，速度快；	There are two ways to choose: linear belt type buckle cover and turntable type buckle cover, which have stable operation and fast speed;
2	全304#不锈钢材质，防尘防锈易维护,美观耐用；	All 304 stainless steel material, dustproof and rust proof, easy to maintain, beautiful and durable;
3	压盖轮可左右上下调节，适用不同高度的罐子，调节简便；	The gland wheel can be adjusted from left to right, up and down, which is suitable for cans of different heights and easy to adjust;

### 技术参数/Technical parameter

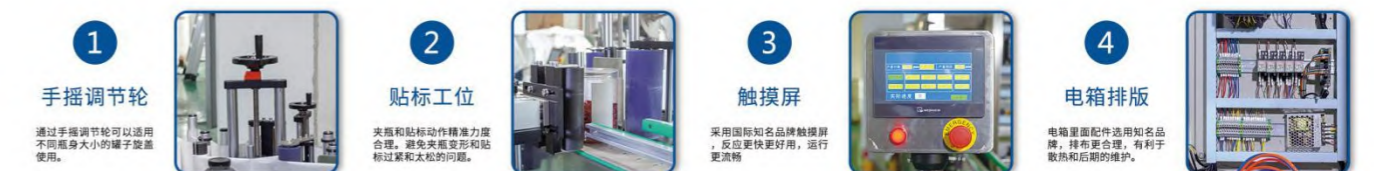
生产能力	30-50 cans/minute
压盖高度	60-200mm
适用瓶型直径	35-100mm
工作温度	0-45°C
工作湿度	35-85%
工作电源	AC220V 50/60HZ
总功率	440W
气源气压	0.4-0.8MPa
流量	0.15 cubic /minute
重量	150KG
尺寸	L2000 * W1000 * H1800(mm)

# 圆瓶贴标机

## Round bottle labeling machine



### 细节图/Detail drawing



### 特点/Characteristic

1	压轮采用软性硅胶材质，对产品无刮伤，标签贴合牢固；	The roller is made of soft silica gel, which has no scratch on the product and the label is firmly attached;
2	输送带前后采用滚珠过渡机构，对接生产线可避免倒瓶，积压瓶子，提高传动效率；	The front and back of the conveyor belt are equipped with ball transition mechanism, which can avoid bottle dumping and overstock, and improve the transmission efficiency;
3	采用进口电气元件等配置，提高设备稳定性；	Imported electrical components are used to improve the stability of the equipment;
4	支持标头机构，采用三角形固定杆支持，稳固提高设备稳定性	Support head mechanism, use triangle fixed bar support, improve equipment stability;
5	设备送标器牵引机构，为金刚石摩擦轮，大大提高牵引标签时的摩擦力，提高贴标精度。 标签放卷盘，在贴标过程中，放卷盘的刹车机构，采用凸轮式机构原理，保证标签恒定的张力，大大提高贴标精度以及稳定性；	The traction mechanism of the equipment label feeder is a diamond friction wheel, which greatly improves the friction force when pulling the label and improves the labeling accuracy. In the labeling process, the brake mechanism of the unwinding disc adopts the cam mechanism principle to ensure the constant tension of the label and greatly improve the labeling accuracy and stability;

### 技术参数/Technical parameter

型号	LFT-LG-100	适用纸圈内径	Φ76mm
贴标速度	最高可达120瓶/min	适用纸圈外径	最大Φ330mm
贴标精度	±1mm	工作电源	220V、50Hz
标签最大宽度	100mm(可定制)	功率	1.5KW
被贴物尺寸	Φ30mm-Φ100mm(可定制)	重量	250kg

# 双侧面贴标机

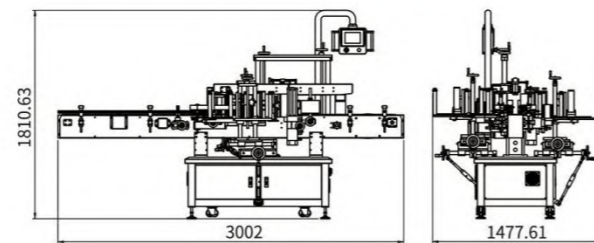
Double side labeling machine



## 适合物料



## 二维尺寸图



## 特点/Characteristic

1	一台机可实现四种产品的单侧面贴标,圆瓶、扁瓶、方瓶、异形瓶;	One machine can realize single side labeling of four kinds of products, including round bottle, flat bottle, square bottle and special-shaped bottle;
2	配置自动分瓶结构,导瓶前自动分开间距,保证后续导瓶、输送和贴标的稳定性;	It is equipped with automatic bottle separation structure, which can automatically separate the spacing before the guide bottle, so as to ensure the stability of subsequent guide bottle, transportation and labeling;
3	智能控制,自动光电追踪,具备无物不贴标,无标自动校正和标签自动检测功能;	Intelligent control, automatic photoelectric tracking, with no label, no label automatic correction and label automatic detection function;
4	配置两重覆标结构,首次保证贴标精度,二次弹压式覆标,有效消除气泡和保证标签头尾贴紧;	Equipped with double overlay structure, the first time to ensure the accuracy of the label, the second elastic pressure overlay, effectively eliminate bubbles and ensure that the label head and tail close;

## 技术参数/Technical parameter

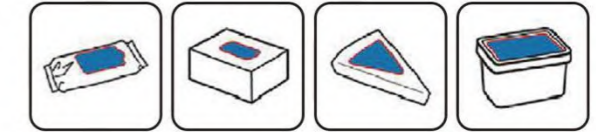
型号	LFT-SM-200C
贴标速度	10-40瓶/min
贴标精度	±1mm
标签最大宽度	200mm(可定制)
被贴物尺寸	高度≤400mm;厚度≤100mm(可定制)
适用纸圈内径	Φ76.2mm
适用纸圈外径	最大Φ330mm
工作电源	220V、50Hz
功率	3.5KW
重量	500kg
尺寸	L3002* W 1478* H 1810mm

# 平面贴标机

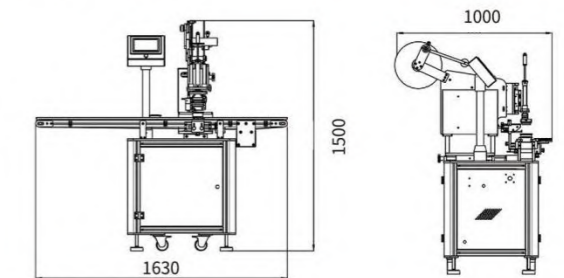
Plane labeling machine



## 适合物料



## 二维尺寸图



## 特点/Characteristic

1	适用范围广,可满足产品宽度30mm~350mm的产品平面贴标和不干胶膜,更换覆标机构可满足不平整去面贴标;	Wide range of application, can meet the product width of 30mm ~ 350mm product plane labeling and self-adhesive film, replace the overlay mechanism can meet the uneven surface labeling;
2	贴标精度高,细分步进电机或伺服电机驱动送标,送标精准;标带绕行纠偏机构设计,保证标签牵引过程中不左右偏移;偏心轮技术应用于牵引机构,牵引标签不打滑,确保出标精准;	High labeling accuracy, subdivision stepper motor or servo motor drive marking, marking accuracy; The design of label belt detour correction mechanism ensures that the label does not deviate left and right in the process of traction; Eccentric technology is applied to the traction mechanism, the traction label does not slip, to ensure the accuracy of the standard;
3	调整座有6个可调的方向和角度,适用性加强,不同产品之间的转换变得简单、省时;	The adjustable seat has six adjustable directions and angles, which makes the conversion between different products simple and time-saving;
4	智能控制,自动光电追踪,具备无物不贴标,无标自动校正和标签自动检测功能,防止漏贴和标签浪费;	Intelligent control, automatic photoelectric tracking, with no label, no label automatic correction and label automatic detection function, to prevent missing and label waste;

## 技术参数/Technical parameter

型号	LFT-PM-120
贴标速度	10-40米/min
贴标精度	±1mm
标签最大宽度	100mm(可定制)
被贴物尺寸	Φ30mm-Φ80mm(可定制)
适用纸圈内径	Φ76mm
适用纸圈外径	最大Φ330mm
工作电源	220V、50Hz
功率	2KW
重量	220kg
尺寸	L2200* W 1400* H 1750mm

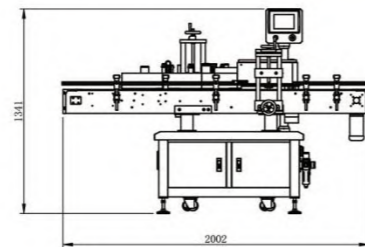
# 搓滚式贴标机



## 适合物料



## 二维尺寸图



## 特点/Characteristic

1	本机器适用于医药、日化等行业的圆形物体圆周贴标;	The machine is suitable for circular object circumferential labeling in medicine, daily chemical and other industries;
2	采用滚轮方式搓标, 贴标精度更高, 速度更快;	The roller method is used to rub the label, which has higher labeling accuracy and faster speed;
3	机器结构简单, 利于操作和后期维护;	The machine has simple structure, which is conducive to operation and later maintenance;
4	具有光电控制, 可实现无物不贴标, 避免浪费标签成本;	With photoelectric control, it can realize no labeling without anything, so as to avoid wasting label cost;
5	具有先进的人性化界面, 以及在线帮助系统;	Advanced user-friendly interface and online help system;

## 技术参数/Technical parameter

型号	LFT-CG-00
贴标速度	20-60瓶/min
贴标精度	±1mm
标签最大宽度	100mm(可定制)
被贴物尺寸	Φ30mm-Φ80mm(可定制)
适用纸圈内径	Φ76mm
适用纸圈外径	最大Φ330mm
使用气源	4-6 KG 30L/min
工作电源	220V、50Hz
功率	2KW
重量	250kg
尺寸	L2000* W 800* H 1600mm

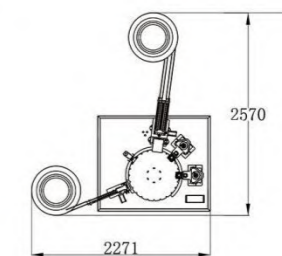
# 试剂灌装机



## 适合物料



## 二维尺寸图



## 特点/Characteristic

1	采用触摸屏及PLC人机智能交互系统, 实现全自动化生产;	It adopts touch screen and PLC human-computer intelligent interaction system to realize full-automatic production;
2	外观独特美观, 采用304不锈钢;	Unique and beautiful appearance, 304 stainless steel;
3	蠕动泵灌装, 灌装精度高;	Peristaltic pump filling, high filling precision;
4	变频控制, 生产速度可以调节, 自动计数;	Frequency conversion control, adjustable production speed and automatic counting;
5	无瓶不灌装;	No filling without bottle;

## 技术参数/Technical parameter

型号	LFYT-00
产量	20-35瓶/min
管子直径	Φ10mm-Φ25mm(可定制)
管子高度	30mm-150mm(可定制)
工作电源	220V、50Hz
耗气量	0.6-0.8m <sup>3</sup> /min
重量	400KG
尺寸	L221600mm*W1300mm*H1600mm
适用范围	各种试管、细胞检测液、核酸检测液等液体; 灌装容器: 试管、西林瓶等;

# 金属封折尾机

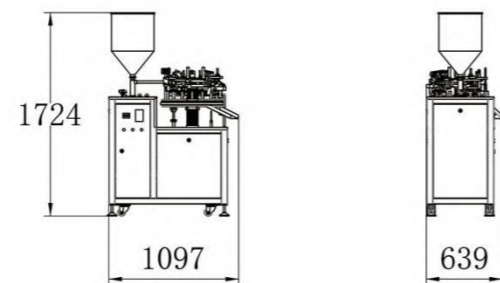
Metal sealing and folding machine



## 适用物料



## 二维尺寸图



## 样品/Sample



## 特点/Characteristic

1	采用PLC控制台，使用便携，简介方便；	PLC control panel is adopted, which is portable and easy to introduce;
2	外观独特美观，采用304不锈钢；	Unique and beautiful appearance, made of 304 stainless steel;
3	不锈钢折边夹块，保用不坏，可单边折，双边折，视客户产品而定，结构清晰，更换方便；	Stainless steel folding clip block can be folded on one side or both sides, depending on the customer's products, with clear structure and easy replacement;
4	适用范围：应用于医药、日化、食品、化工等行业的包装，如软膏、胶粘剂、AB胶、环氧胶、皮肤膏、染发剂、鞋油、牙膏等液体或膏状物料的灌装与封尾；	Scope of application: it is applied to the packaging of medicine, daily chemicals, food and chemical industry, such as the filling and sealing of liquid or paste materials such as ointment, adhesive, AB glue, epoxy glue, skin cream, hair dye, shoe polish, toothpaste, etc;

## 技术参数/Technical parameter

型号	LFF-ZW-00	电源类型	220V、50Hz
产量	10-30支/min	耗气量	0.3m <sup>3</sup> /min
管子直径	Φ10mm-Φ50mm(可定制)	设备材质	304#
管子高度	20mm-250mm(可定制)	外形尺寸	L1000*W600*H1700mm
控制系统	PLC	整机重量	400kg

# 塑料软管半自动封尾机

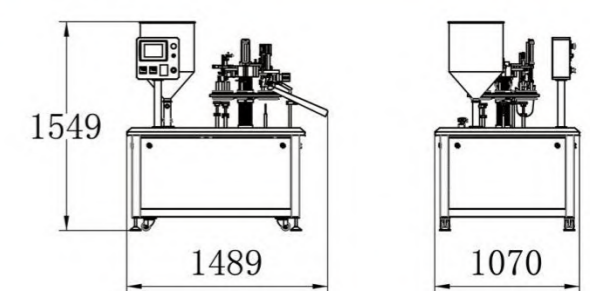
Semi automatic sealing machine for plastic hose



## 适用物料



## 二维尺寸图



## 样品/Sample



## 特点/Characteristic

1	采用PLC控制台，使用便携，简介方便；	PLC control panel is adopted, which is portable and easy to introduce;
2	外观独特美观，采用304不锈钢；	Unique and beautiful appearance, made of 304 stainless steel;
3	不锈钢折边夹块，保用不坏，可单边折，双边折，视客户产品而定，结构清晰，更换方便；	Stainless steel folding clip block can be folded on one side or both sides, depending on the customer's products, with clear structure and easy replacement;
4	适用范围：应用于医药、日化、食品、化工等行业的包装，如软膏、胶粘剂、AB胶、环氧胶、皮肤膏、染发剂、鞋油、牙膏等液体或膏状物料的灌装与封尾；	Scope of application: it is applied to the packaging of medicine, daily chemicals, food and chemical industry, such as the filling and sealing of liquid or paste materials such as ointment, adhesive, AB glue, epoxy glue, skin cream, hair dye, shoe polish, toothpaste, etc;

## 技术参数/Technical parameter

型号	LD-CFW-00	生产能力	0-40 (罐/分钟)
灌装量	5~300 (ml)	功率	2.5KW
适用瓶高	50~150 (mm)	适用对象	L 1100*W 850*H 1600mm
适用瓶径	10~45 (mm)	重量	550kg
适用对象	油类、护发用品、护肤品类、化妆品类、清洁、洗涤用品、牙膏、酱类、胶水		

# 全自动封尾机

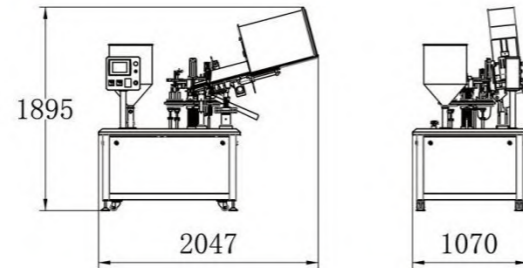
Metal sealing and folding machine



## 适用物料



## 二维尺寸图



## 样品/Sample



## 特点/Characteristic

1	LD-CFW型软管灌封机主要用于一次传动原理;	Ld-cfw type hose filling and sealing machine is mainly used for primary transmission principle;
2	采用日本松下传感器等电器元件控制, 一改老机型气动控制元件易磨损灯弊端;	Using Panasonic sensors and other electrical components control, a change of the old model of pneumatic control components easy to wear disadvantages;
3	利用槽轮分度机构带动装有夹具的转盘作间歇运动, 完成自动排管, 自动下管, 自动灌装及内外加热、封尾、压码、切边、成品退出等一系列功能;	The rotary table equipped with fixture is driven to move intermittently by the Geneva indexing mechanism to complete a series of functions such as automatic pipe arrangement, automatic pipe laying, automatic filling, internal and external heating, tail sealing, code pressing, edge cutting, finished product exit, etc;
4	灌装计量准确, 加热时间稳定、可调、封尾外观漂亮、整齐、牢固、卫生;	Accurate filling measurement, stable and adjustable heating time, beautiful, neat, firm and sanitary appearance of sealing tail;
5	整机运行平稳可靠, 无噪音和其它污染;	The whole machine runs stably and reliably without noise and other pollution;

## 技术参数/Technical parameter

型号	LD-CFW-00	生产能力	0-40 (罐/分钟)
灌装量	5~300 (ml)	功率	2.5KW
适用瓶高	50~150 (mm)	适用对象	L 1100*W 850*H 1600mm
适用瓶径	10~45 (mm)	重量	550kg
适用对象	油类、护发用品、护肤品类、化妆品类、清洁、洗涤用品、牙膏、酱类、胶水		

# 全自动振盘下料封尾机

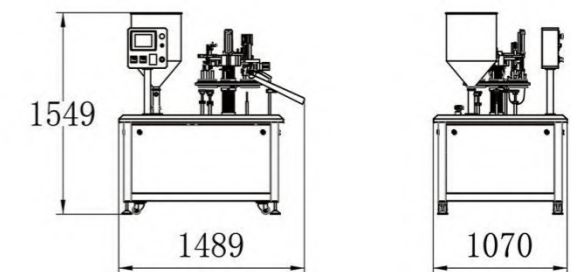
Semi automatic sealing machine for plastic hose



## 适用物料



## 二维尺寸图



## 样品/Sample



## 特点/Characteristic

1	采用PLC控制台, 使用便携, 简介方便;	PLC control panel is adopted, which is portable and easy to introduce;
2	外观独特美观, 采用304不锈钢;	Unique and beautiful appearance, made of 304 stainless steel;
3	不锈钢折边夹块, 保用不坏, 可单边折, 双边折, 视客户产品而定, 结构清晰, 更换方便;	Stainless steel folding clip block can be folded on one side or both sides, depending on the customer's products, with clear structure and easy replacement;
4	适用范围: 应用于医药、日化、食品、化工等行业的包装, 如软膏、胶粘剂、AB胶、环氧胶、皮肤膏、染发剂、鞋油、牙膏等液体或膏状物料的灌装与封尾;	Scope of application: it is applied to the packaging of medicine, daily chemicals, food and chemical industry, such as the filling and sealing of liquid or paste materials such as ointment, adhesive, AB glue, epoxy glue, skin cream, hair dye, shoe polish, toothpaste, etc;

## 技术参数/Technical parameter

型号	LD-CFW-00	生产能力	0-40 (罐/分钟)
灌装量	5~300 (ml)	功率	2.5KW
适用瓶高	50~150 (mm)	适用对象	L 1100*W 850*H 1600mm
适用瓶径	10~45 (mm)	重量	550kg
适用对象	油类、护发用品、护肤品类、化妆品类、清洁、洗涤用品、牙膏、酱类、胶水		



# 半自动粉末封罐机

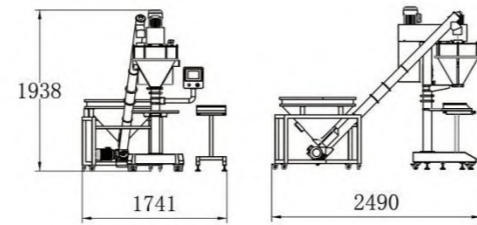
Semi automatic powder can sealing machine



## 适用物料



## 二维尺寸图



## 样品/Sample



## 特点/Characteristic

1	设计原则安全、卫生、简单、耐用、美观;	The design principle is safe, hygienic, simple, durable and beautiful;
2	组合式料箱无需工具即可方便拆洗;	The combined material box can be easily disassembled and washed without tools;
3	伺服马达及伺服驱动控制螺杆, 计量精度高, 使用寿命长, 噪音低符合标准;	Servo motor and servo drive control screw, high measurement accuracy, long service life, low sound, meet the standard;
4	全不锈钢结构, 物料接触部分均为304材;	All stainless steel structure, material contact parts are 304 materials;
5	配有高度调节手轮, 方便调节整机高度;	Equipped with height adjusting hand wheel, it is convenient to adjust the height of the whole machine;
6	可更换螺旋附件, 能够适应超细粉到小颗粒等多种物料;	Replaceable screw accessories, can adapt to ultra-fine powder to small particles and other materials;

## 技术参数/Technical parameter

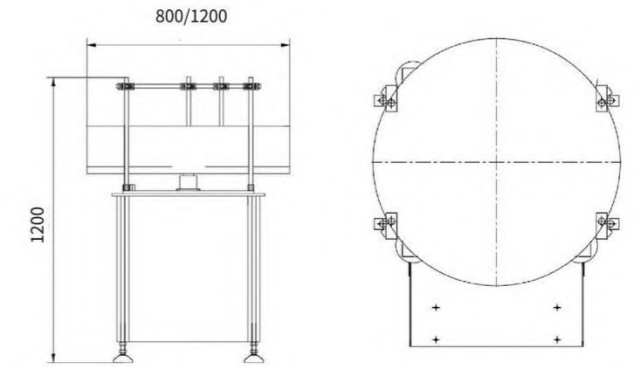
型号	LD-30L	LD-50L	LD-100L
料仓容量	30L	50L	100L
包装重量	1-200g	10-5000g	10-10000g
包装精度	100g 偏差 ±0.5-1g、100-1000g 偏差±0.5%-1%、 >1000g 偏差±0.25%-0.5%		
包装速度	10-50包/分钟	10-50包/分钟	10-50包/分钟
电源	三相380V(或定制单相220V) 50-60Hz		
整机功率	1.2kw	1.8Kw	2.2KW
整机重量	140kg	260Kg	350Kg
整机尺寸	648x506x1025mm	1200X800X2150mm	/

# 圆瓶理瓶机

Round bottle sorting machine



## 二维尺寸图



## 细节图/Detail drawing

1

知名品牌电机

采用国内知名品牌电机更耐用

2

设计简约合理

采用304不锈钢材质,设计简约不简单

3

速度快慢可调

速度调节更灵活,适合不同生产要求

## 特点/Characteristic

1	一次可以容纳大量罐子, 自动整理入包装线的输送带上, 节约人工成本,提高产线自动化, 从而提高生产效率;	It can hold a large number of cans at one time and automatically arrange them into the conveyor belt of the packaging line, saving labor cost and improving the automation of the production line, so as to improve the production efficiency;
2	结构简单, 方便操作和使用;	Simple structure, convenient operation and use;
3	可根据客户需求用于包装线最前端和最后端;	It can be used at the front end and the last end of the packaging line according to customer demand;

## 技术参数/Technical parameter

型号	LFL-800
产量	10转/min
瓶子直径	Φ30mm-Φ100mm(可定制)
瓶子高度	30mm-120mm(可定制)
功率	200W
工作电源	220V、50Hz
重量	50kg

# 电磁感应铝箔封口机

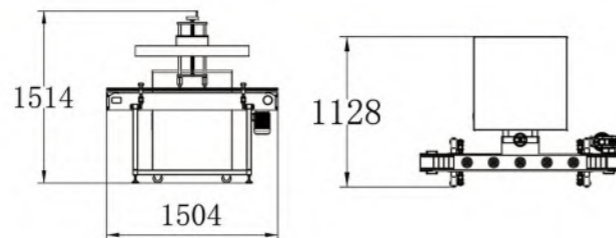
Electromagnetic induction aluminum foil sealing machine



## 适用瓶型



## 二维尺寸图



## 特点/Characteristic

1	把电磁感应铝箔封口机平放在稳定台面上,并插上220V电源;	Place the electromagnetic induction aluminum foil sealing machine flat on the stable table, and plug in the 220 V power supply;
2	把要封口的瓶子平放在输送带上,调节升降手轮,令要封口瓶子刚好能顺利通过封口头底为限,一般瓶盖离封口头距离不要超过5毫米,封大口径瓶子要离开封口头8毫米,封口头的距离越大功率越弱,瓶口越大功率越大;	Put the bottle to be sealed flat on the conveyor belt, adjust the lifting hand wheel, so that the bottle to be sealed can just pass through the bottom of the sealing head. Generally, the distance between the bottle cap and the sealing mouth should not be more than 5mm, and the distance between the large-diameter bottle and the sealing head should be 8mm. The larger the distance between the sealing mouth and the power, the weaker the power and the bigger the bottle mouth;
3	转动“输送带调节”制,输送带运转,首先检测一下瓶子能否从封口头底顺利中心通过;	Turn the "belt adjustment" system, and the conveyor belt runs. First, check whether the bottle can pass smoothly from the bottom of the sealing head;
4	把开关拨到ON的位置,本机有慢启动保护装置,开机约五分钟后才可以开始正式工作;	Turn the switch to the on position. The machine has a slow start protection device. It can start to work after about five minutes;
5	为使封口质量稳定,瓶子一定要调节到从封口头中心通过(注意:因为每种瓶盖的厚度不同,所以工作时间要随着瓶盖的厚度而相对延长);	In order to stabilize the sealing quality, the bottle must be adjusted to pass through the center of the sealing head (Note: because the thickness of each cap is different, the working time should be relatively extended with the thickness of the cap);

## 技术参数/Technical parameter

型号	LF-LB-2000
速度	0-100
口径	15-60mm/35-85mm/50-120mm
功率	2KW
电源	220V
重量	40kg

# 配套设备

Supporting equipment



液氮机组合



防爆机



翻瓶机



UV杀菌通道



光纤激光打码机



CO2激光打码机



喷码机



真空上料机



方瓶理瓶机



收集平台



支撑平台



液体泵



Z型提升机



螺旋提升机



磁力泵